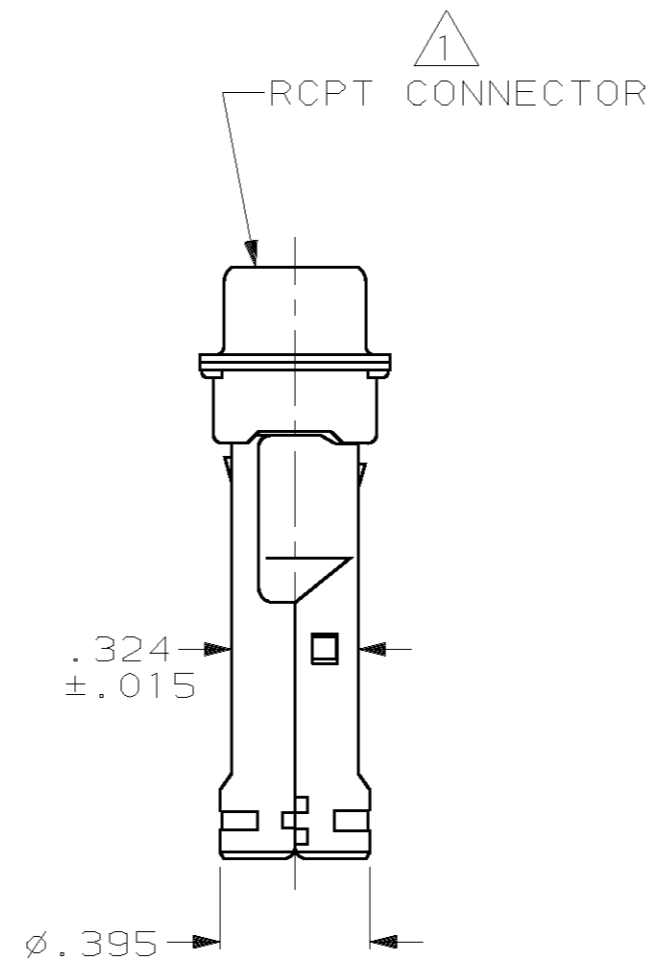
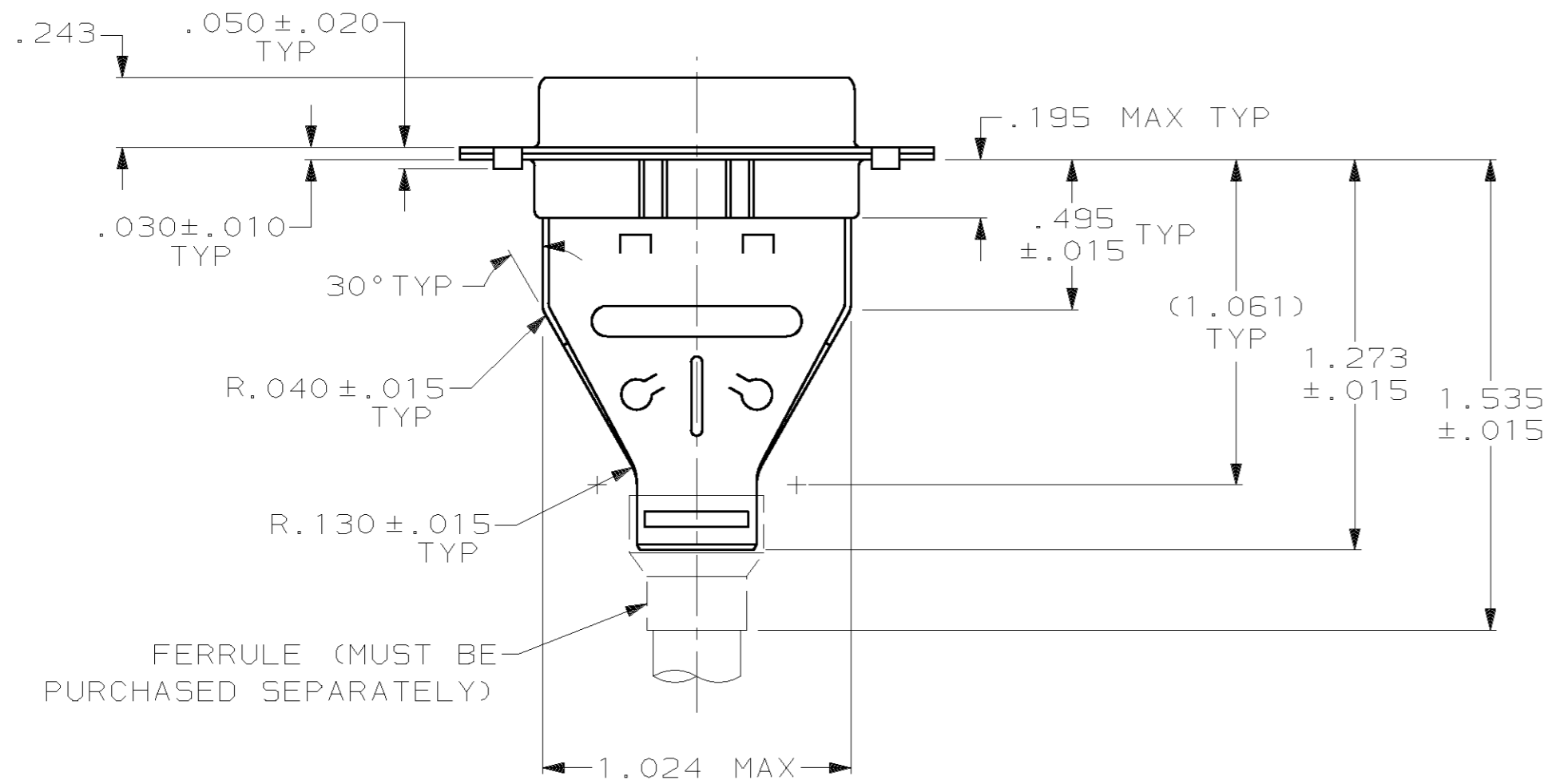
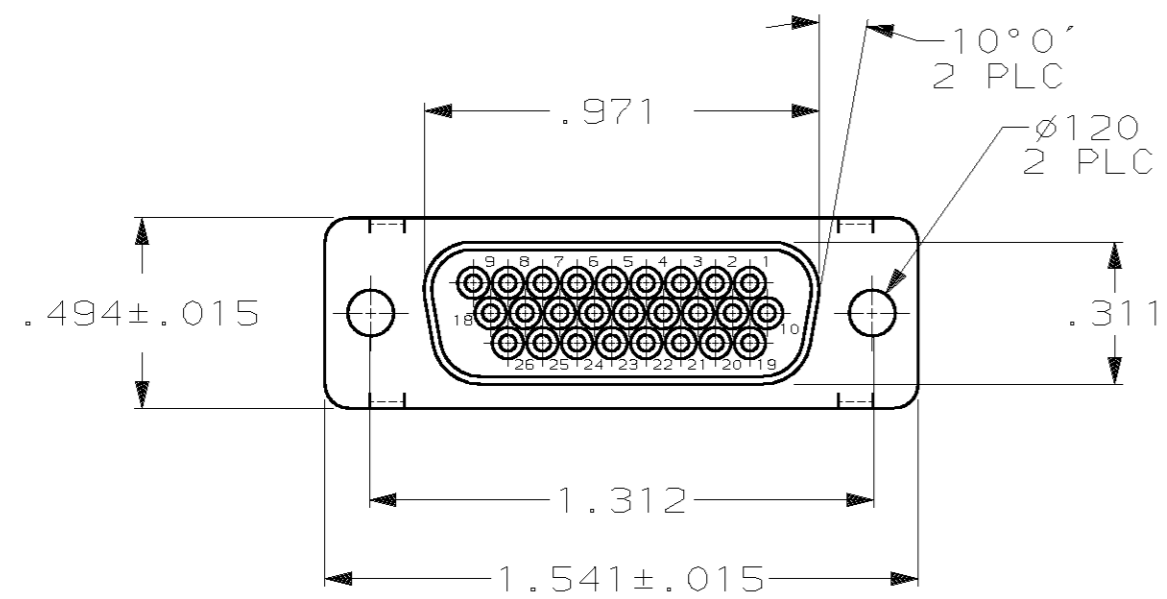


THIS DRAWING IS UNPUBLISHED. RELEASED FOR PUBLICATION .19
 (C) COPYRIGHT 19 BY AMP INCORPORATED. ALL RIGHTS RESERVED.

LOC	DIST	REVISIONS					
GP	00	P	LTR	DESCRIPTION	DATE	DWN	APVD
		0		RELEASED PER EC 0513-0209-03	02 JAN 04	LB	5B



- ① RCPT ACCEPTS 22 DF SOCKET CONTACTS (CONTACTS MUST BE ORDERED SEPARATELY).
- 2. ALL PARTS SHIPPED UNASSEMBLED, EACH PART INDIVIDUALLY BULK PACKED.
- ③ FLAME RETARDANT 94V-0 RATED, GLASS FILLED NYLON, BLACK.
- ④ .000200 MIN. TIN PLATE OVER .000100 MIN. COPPER UNDERPLATE.

1658687-1
 PART NUMBER

THIS DRAWING IS A CONTROLLED DOCUMENT.		DWN L. BAUM 02JAN04	AMP Incorporated Harrisburg, PA 17105-3608
DIMENSIONS: INCH		CHK S. BOLASH 02JAN04	
TOLERANCES UNLESS OTHERWISE SPECIFIED: 0 PLC ±- 1 PLC ±- 2 PLC ±- 3 PLC ±.005 4 PLC ±- ANGLES ±2°		APVD M. WALMSLEY 02JAN04	
MATERIAL HOUSING: ③ SHELLS & SHIELDS: CARBON STEEL		FINISH SHELLS & SHIELDS: ④	
PRODUCT SPEC 108-1268 APPLICATION SPEC 114-10001		NAME KIT, RCPT, SHIELDING HARDWARE, SIZE 2, 26 POSN, HDP-22, AMPLIMIT™	
WEIGHT -		SIZE A2	CAGE CODE 00779
CUSTOMER DRAWING		DRAWING NO. 1658687	
SCALE 2:1		SHEET 1 OF 1	
REV 0		RESTRICTED TO -	